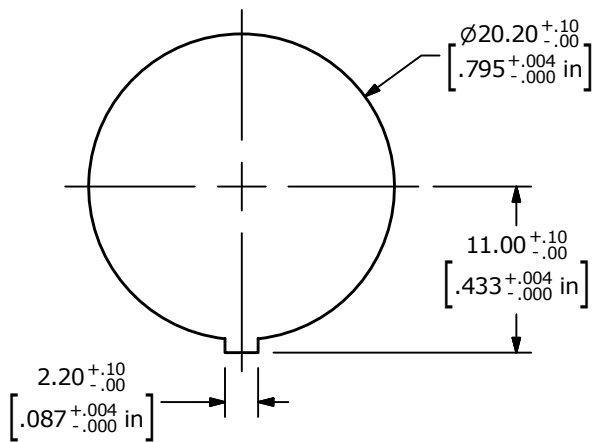
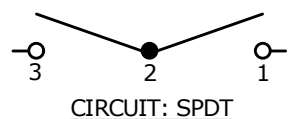
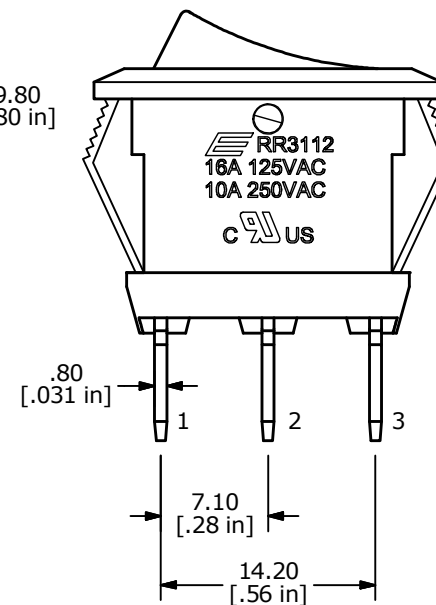
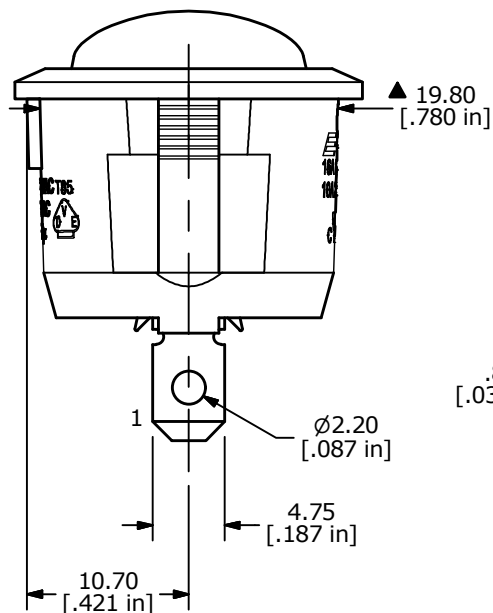
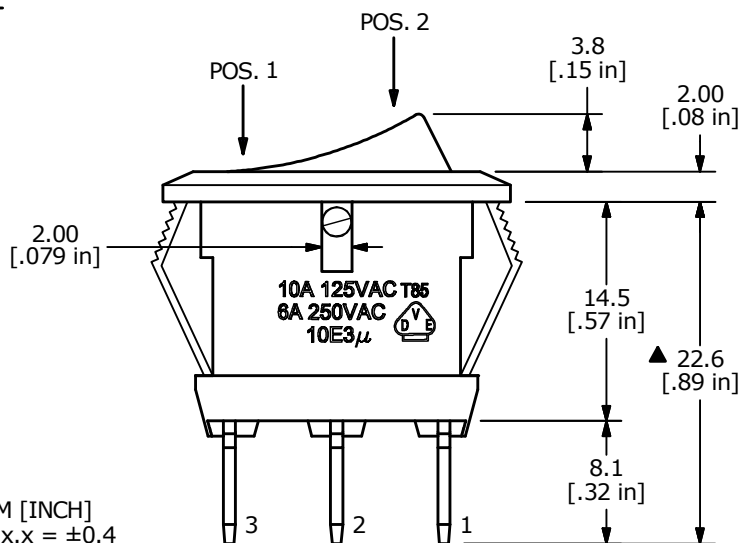
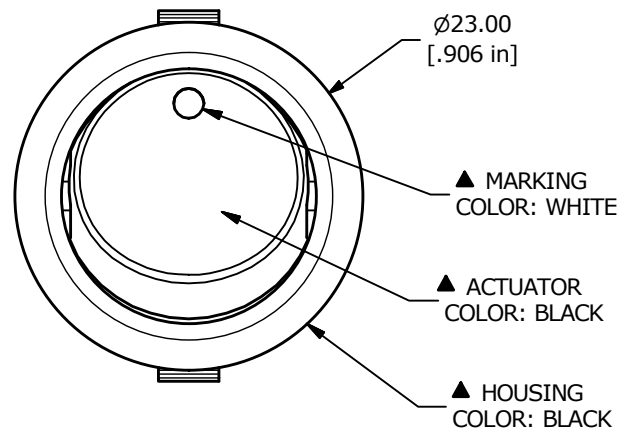


SWITCH FUNCTION	
POS. 1	POS. 2
ON	ON
2-1	2-3



RECOMMENDED PANEL MOUNTING



NOTES:

- ALL DIMENSIONS IN MM [INCH]
- GENERAL TOLERANCE: x.x = ±0.4
x.xx = ±0.25
- TERM. NUMBERS FOR REF. ONLY
- RATING: 10A 250VAC
16A 125VAC
- CONTACT RESISTANCE: 50mOHM MAX.
- INSULATION RESISTANCE: DC 500V 100M OHM MIN.
- DIELECTRIC STRENGTH: AC 1500V 1 MIN
- OPERATING TEMPERATURE: 0°C to 65°C
- ▲ DENOTES CRITICAL PARAMETER
- 2011/65/EU (ROHS) COMPLIANT.



A	23341	RELEASE FOR PRODUCTION	5/7/18	MW
REV	PCR NO	DESCRIPTION	DATE	BY

TITLE RR3112CBLKBLKNAF0				
SCALE	DATE	DR	DWG	REV
2:1	5/7/2018	MW	F130516	A

THE INFORMATION CONTAINED IN THIS DOCUMENT IS PROPRIETARY TO E-SWITCH AND IS NOT TO BE COPIED OR TRANSFERRED